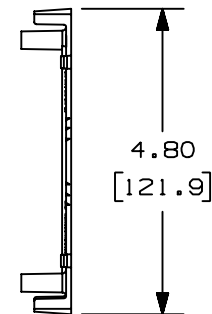
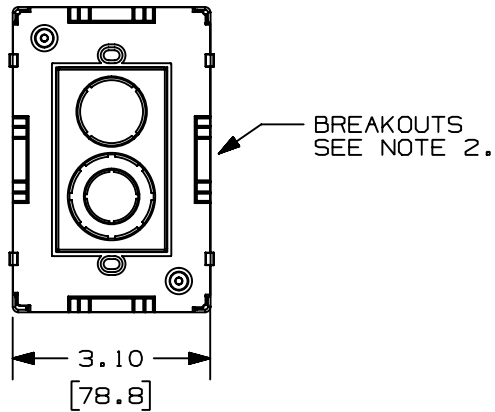
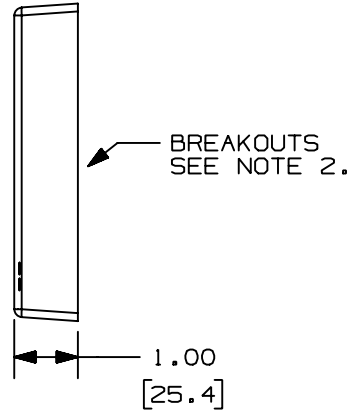
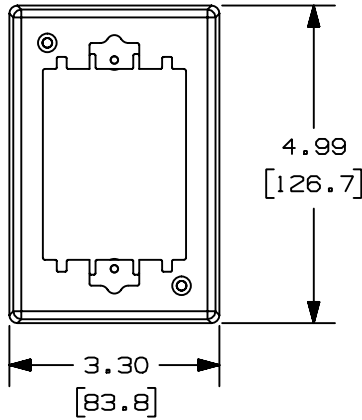


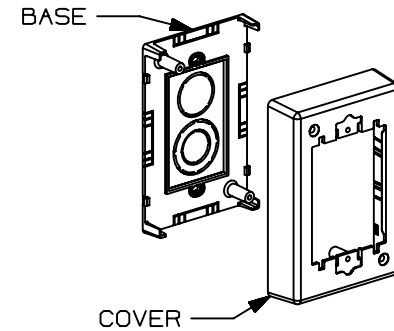
THIS COPY IS PROVIDED ON A RESTRICTED BASIS AND IS NOT TO BE USED IN ANY WAY DETRIMENTAL TO THE INTERESTS OF PANDUIT CORP.



PANDUIT P/N	WEIGHT
JBP1E	1.52 LB/10 PCS (689 g/10 PCS)

NOTES:

- SEE CURRENT CATALOG FOR ADDITIONAL PART SUFFIXES TO INDICATE COLOR AND OR PACKAGE QUANTITY.
- BREAKOUTS FOR LDS AND LDP RACEWAYS ARE PROVIDED ON ALL FOUR SIDES IN THE BASE AND COVER.
- COVER IS EXTENDED OUT AND DOWN AROUND SIDES OF BASE WHEN ASSEMBLED.
- DIMENSIONS IN PARENTHESES ARE IN METRIC.



CAD FILENAME/LAYERS D36085BE_DC_JBP1_00

PANDUIT CORP. TINLEY PARK, ILLINOIS

EXTENSION JUNCTION BOX
SINGLE GANG (JBP1E)
CUSTOMER DRAWING

UNLESS OTHERWISE SPECIFIED,
DIMENSIONAL TOLERANCES ARE:
(.X) ± (.XXX) ±
(.XX) ±.03 (.8) ANGLES ±

UNLESS OTHERWISE SPECIFIED,
ALL DIMENSIONS ARE GIVEN
IN INCHES, THIRD ANGLE PROJECTION.

DRAWN BY DW	MAT'L: PVC	SCALE NONE	DWG A
DATE 12-10-98		DRAWING NO. 36085-05	
CHECKED BY JAWA			

REV	DATE	BY	CHK	DESCRIPTION	ECN	CHK	CUST	SUP
R	12-10-98	DW	JAWA	RELEASED TO PRODUCTION.	36085-05	HIW	HIW	